

Cuisinart®

INSTRUCTION
BOOKLET



4-Slice Tandem Toaster

TAN-4C

For your safety and continued enjoyment of this product, always read the instruction book carefully before using.

IMPORTANT SAFEGUARDS

When using an electrical appliance, basic safety precautions should always be followed, including the following:

1. **Read all instructions.**
2. **Do not touch hot surfaces. Use handles or knobs.**
3. To protect against electrical shock, do not place any part of the toaster in water or other liquid. See instructions for cleaning.
4. Close supervision is necessary when any appliance is used by or near children.
5. Always unplug from outlet when not in use and before cleaning. Allow to cool before cleaning or handling.
6. Do not operate any appliance with a damaged cord or plug, or after the appliance has malfunctioned or has been dropped or damaged in any way, or if it is not operating properly. Return the toaster to the nearest Cuisinart Repair Centre for examination, repair, or mechanical or electrical adjustment.
7. The use of accessory attachments not recommended or sold by Cuisinart may cause injury.
8. Do not use outdoors.
9. Do not let cord hang over the edge of the table or countertop or touch hot surfaces.
10. Do not place toaster on or near a hot gas or electric burner or in a heated oven.
11. Do not use this toaster for other than intended use.
12. **Oversize foods, metal foil packages or utensils must not be inserted in the toaster as they may involve a risk of fire or electric shock.**
13. **A fire may occur if the toaster is covered or touching flammable materials, including curtains, draperies, walls and the like, when in operation. Do not operate under wall cabinets.**
14. Do not attempt to dislodge food when the toaster is plugged into electrical outlet.

15. To avoid possibility of fire, do not leave toaster unattended during use. Unplug when not in use.

16. To disconnect, push the cancel button, then remove plug from wall.

SAVE THESE INSTRUCTIONS FOR HOUSEHOLD USE ONLY

SPECIAL CORD SET INSTRUCTIONS

A short power-supply cord is provided to reduce the risks resulting from becoming entangled in or tripping over a longer cord. Longer extension cords are available and may be used if care is exercised in their use.

If a long extension cord is used, the marked electrical rating of the extension cord should be at least as great as the electrical rating of the appliance, and the longer cord should be arranged so that it will not drape over the countertop or tabletop where it can be pulled on by children or tripped over.

NOTICE

This appliance has a polarized plug (one blade is wider than the other). As a safety feature, this plug will fit in a polarized outlet only one way. If the plug does not fit fully in the outlet, reverse the plug. If it still does not fit, contact a qualified electrician. Do not attempt to defeat this safety feature.

CONTENTS

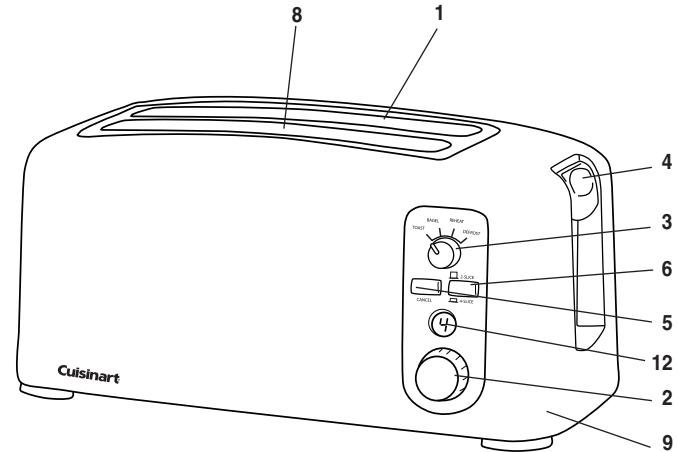
Important Safeguards	2
Introduction	3
Features and Benefits	3
Use and Care	3
Cleaning and Maintenance	5
Warranty	6

INTRODUCTION

You'll love your Cuisinart® 4-Slice Tandem Toaster. Thanks to the powerful 1800-watt heating element, your toaster lets you put toasted items on the plate faster! It also features Bagel, Reheat and Defrost functions, plus six shade settings. Toast waffles, bagels, muffin halves, and bread just the way you like them! The Always Even™ Shade control toasts evenly every time, and an energy-saving 2/4 slice selector lets you turn off one slot if you're toasting only one or two items. The cleanup is easy, too – the crumb tray slides out and the cool-touch housing wipes clean in seconds!

FEATURES AND BENEFITS

- 1. Extra-Wide and Extra-Long Toasting Slots**
1½" (3.75 cm) -wide toaster slots are 9½" (23.75 cm) long.
- 2. Shade Control Dial**
Sets desired toast colour from light to dark using settings 1-6.
- 3. Function Control Dial**
Choose Toast, Bagel, Reheat or Defrost for custom settings.
- 4. Carriage / Start Lever**
Lowers bread into slot to start toaster, and pops up automatically at end of cycle. Also use to pop up toast before end of cycle.
- 5. Cancel Control**
Cancel control button interrupts toasting process.
- 6. 2-Slice/4-Slice Button**
Shuts down back toaster slot to allow for more even toasting.
- 7. Always Even™ Shade Control (not shown)**
Electronically monitors and adjusts toaster's internal temperature to provide consistent toasting results from one use to the next. Heating elements deliver even heat for uniform browning.
- 8. Self-Centering Bread Rack (not shown)**
Centres all shapes and sizes of bread in the middle of toaster chamber for more even toasting results.
- 9. Cool-Touch Toaster Housing**
- 10. Slide-out Crumb Tray (not shown)**
Removes easily to clean crumbs from bottom of toaster.
- 11. Cord Storage (not shown)**
Takes up excess cord and keeps countertop neat.
- 12. Bright Blue Neon Light**
Shows shade settings 1-6.



USE AND CARE

Unwind the power cord. Check that the crumb tray is in place and that there is nothing in the toaster slot. Plug power cord into the wall outlet.

1. Insert Slice(s) of Bread.

Be sure that multiple slices do not overlap and that the carriage is in the up position.

2. Set the Browning Control dial.

Turn rotary dial to the desired position:

Setting	Colour
1-2	light
3-4	medium
5-6	dark

Some notes on browning

Toasting is a combination of cooking and drying of the bread. Therefore, differences in moisture level from one bread to another can result in varying toasting times.

- For slightly dry bread, use a lower setting than you normally would.
- For very fresh bread or whole wheat bread, use a higher setting than normal.

-
- Breads with very uneven surfaces (such as English muffins) will require a higher toast setting.
 - Thickly-cut pieces of bread (including bagels) will take longer to toast, sometimes significantly longer, since more moisture must be evaporated from the bread before toasting can occur. Very thick pieces may require two cycles.
 - When toasting raisin or other fruit breads, remove any loose raisins, etc. from the surface of the bread before placing into the toaster. This will help prevent fruit pieces from falling into the toaster or sticking on the guide wires in the slot.
 - Before toasting bagels, slice each bagel into two equal halves.

Notes on Specialty Uses

The following breads and pastries should be warmed using the Defrost button: frozen waffles, pancakes, French toast and frozen bagels.

Toaster pastries: Exercise caution with toaster pastries; the filling can become quite hot, long before the surface of the pastry becomes browned. Never leave toaster pastries unattended while toasting or warming.

3. To Begin Toasting

Press the carriage lever until it locks in the down position.

4. To Stop Toasting

When the toasting cycle is finished, the toast will be raised. If you wish to stop the cycle before it is finished, simply press the Cancel button.

Tips

- Never force food into the toasting slot. Foods should fit freely between the guide wires.
- Do not place buttered breads or pastries with fillings or frostings in the toaster, as this could create a fire hazard.
- Uneven toasting is usually due to bread slices of uneven thickness.
- After use, unplug your toaster from the electrical outlet.

Two-Slice Toasting

Most 4-slice toasters generate so much heat that when 2 slices are toasted the bread can be overtoasted. For two slices of regular size bread, follow these steps:

1. Select the number of slices.

Press the desired slice control button to desired setting (2-slice or 4-slice).

2. Insert slice(s) of bread.

Place bread in the front toaster slot (the slot closest to the controls). Setting the 2-slice/4-slice button turns off the back toaster slot, giving better toasting results.

NOTE: For single slice of bread, turn the shade dial to lighter setting; this will allow for a shorter toasting time.

3. Begin toasting.

Press the carriage lever into the down position.

Defrost Function

The Defrost function is designed to first defrost and then toast the bread, which extends the toasting cycle slightly.

1. Insert slice(s) of bread.

Be sure that multiple slices do not overlap and the carriage is in the up position.

2. Set the Browning Control Dial.

Settings 1-2

For refrigerated breads and thinner frozen items such as frozen pancakes.

Settings 3-4

For toaster pastries, frozen waffles and (thin) French toast, and refrigerated bagels.

Settings 5-6

For thicker frozen items such as bagels, hand-cut bread and thick French toast.

3. Select the Defrost function on the Control Dial.

4. Press the carriage control lever until it locks into position.

To stop cycle

When the defrost cycle is complete, the toaster will raise the bread. If you wish to stop the cycle before it is finished, simply press the Cancel button to interrupt. After use, unplug the toaster from the electrical outlet.

Reheat Function

The reheat feature allows you to reheat bread without browning or toasting.

1. Insert slice(s) of bread.

Be sure that multiple slices do not overlap and the carriage is in the up position.

2. Select the Reheat function on the Control Dial.

3. Press the carriage control lever until it locks into position.

To stop cycle

When the reheat cycle is complete, the toaster will raise the bread. If you wish to stop the cycle before it is finished, simply press the cancel button to interrupt.

After use, unplug the toaster from the electrical outlet.

Bagel Function

The bagel feature adds extra time to the toasting cycle to allow for thicker breads.

1. Insert slice(s) of bread.

Be sure that multiple slices do not overlap and the carriage is in the up position.

2. Select the Bagel function on the Control Dial.

3. Press the carriage control lever until it locks into position.

4. When the Bagel cycle is complete, the toaster will raise the bread. If you wish to stop the cycle before it is finished, simply press the Cancel button to interrupt.

REMEMBER: Set the function control dial back to the Toast position after using one of the specialty functions (Bagel, Defrost or Reheat) upon completion of the cycle.

CLEANING AND MAINTENANCE

Always allow the toaster to cool completely before cleaning.

1. Always unplug the toaster from the electrical outlet.
2. Do not use abrasive cleansers. Simply wipe the exterior with a clean damp cloth and dry thoroughly. Apply any cleansing agent to a cloth, not to the toaster, before cleaning.
3. To remove crumbs, slide out the crumb tray and discard crumbs. Wipe clean and replace. Never operate the toaster without the crumb tray in place.
4. To remove any pieces of bread remaining in the toaster, turn the toaster upside down and gently shake. Never insert any hard or sharp instruments into the slot, as this could damage the toaster and cause a safety hazard.
5. Never wrap the cord around the outside of the toaster. Use the cord storage cleats on the underside of the toaster.

WARRANTY LIMITED THREE-YEAR WARRANTY

This warranty supersedes all previous warranties on this Cuisinart® product. This warranty is available to consumers only. You are a consumer if you own a Cuisinart® product that was purchased at retail for personal, family or household use. This warranty is not available to retailers or other commercial purchasers or owners.

We warrant that this Cuisinart® product will be free of defects in material or workmanship under normal home use for three years from the date of original purchase.

For warranty purposes, we would like to suggest that you register your product on-line at www.cuisinart.ca to facilitate verification of the date of original purchase. However, should you not wish to register on-line we recommend the consumer to maintain original receipt indicating proof of purchase. In the event that you do not have proof of purchase date, the purchase date for purposes of this warranty will be the date of manufacture.

When calling our Authorized Service Centre for in warranty service please make reference to your model number and the manufacturing date code. This information can be found in the rating area on the body or underneath the base of your unit. The model number will follow the word Model: TAN4C. The manufacturing date code is a 4 or 5 digit number. Example, 60630 would designate year, month & day (2006, June 30th).

If your Cuisinart® product should prove to be defective within the warranty period, we will repair it or, if we think it necessary, replace it. To obtain warranty service, please call our Consumer Service Centre toll-free at 1-800-472-7606 or write to:

Cuisinart Canada
156 Parkshore Drive
Brampton, Ont. L6T 5M1

To facilitate the speed and accuracy of your return, please also enclose \$10.00 for shipping and handling of the product. Please also be sure to include a return address, description of the product defect, product serial number, and any other information pertinent to the product's return. Please pay by cheque or money order.

NOTE: For added protection and secure handling of any Cuisinart® product that is being returned, we recommend you use a traceable, insured delivery service.

Cuisinart cannot be held responsible for in transit damage or for packages that are not delivered to us. Lost and/or damaged products are not covered under warranty.

Your Cuisinart® product has been manufactured to strict specifications and has been designed for use with Cuisinart® authorized accessories and replacement parts for your model.

These warranties expressly exclude any defects or damages caused by accessories, replacement parts or repair service other than those that have been authorized by Cuisinart. These warranties exclude all incidental or consequential damages.

BEFORE RETURNING YOUR CUISINART PRODUCT

IMPORTANT: If the nonconforming product is to be serviced by someone other than Cuisinart's Authorized Service Centre, please remind the servicer to call our Consumer Service Centre to ensure that the problem is properly diagnosed, the product serviced with the correct parts, and to ensure that the product is still under warranty.

Cuisinart®

SAVOR THE GOOD LIFE™



Coffeemakers



Food Processors



Toasters



Blenders



Hand Mixers



Ice Cream Makers

Cuisinart offers an extensive assortment of top quality products to make life in the kitchen easier than ever. Try some of our other countertop appliances and cookware, and Savor the Good Life®.

www.cuisinart.ca

©2006 Cuisinart
Cuisinart® is a registered trademark of Cuisinart

156 Parkshore Drive
Brampton, ON L6T 5M1

Consumer Call Centre E-mail:
Consumer_Canada@Conair.com

Printed in China
06CC25017

G IB-6359-CAN

Cuisinart®

SAVOR THE GOOD LIFE™



Cafetières



Robots
culinaires



Grille-pain



Mélangeurs



Malaxeurs



Sorbetières

Cuisinart offre une gamme étendue de produits de première qualité pour vous simplifier la tâche dans la cuisine. Faites l'essai de nos autres petits électroménagers et ustensiles de cuisine, et

Savourez la bonne vie®.

www.cuisinart.ca

©2006 Cuisinart
Cuisinart® est une marque déposée de Cuisinart

156, chemin Parkshore
Brampton, ON L6T 5M1

Courriel du centre d'appels des consommateurs :
Consumer_Canada@Conair.com

Imprimé en Chine

06CC25017

G IB-6359-CAN

GARANTIE GARANTIE LIMITÉE DE 3 ANS

Cette garantie annule et remplace toute garantie antérieure sur ce produit Cuisinart®. Cette garantie n'est offerte qu'aux consommateurs. Par consommateur, on entend tout propriétaire d'un produit Cuisinart® acheté aux fins d'un usage personnel, familial ou ménager. Cette garantie n'est pas offerte aux détaillants ni aux acheteurs ou propriétaires de commerces.

Nous garantissons ce produit Cuisinart® contre les vices de matière et de fabrication en usage ménager normal, pour une période de trois ans à compter de la date d'achat originale.

Aux fins de cette garantie, nous vous suggérons d'inscrire votre produit en ligne à www.cuisinart.ca en vue d'en faciliter la vérification de la date d'achat originale. Toutefois, si vous préférez ne pas vous inscrire en ligne, nous vous recommandons de retenir votre reçu de caisse original indiquant la date d'achat. Advenant que vous n'ayez pas de preuve de date d'achat, la date d'achat sera alors la date de manufacture, aux fins de cette garantie.

Lorsque vous téléphonez à un de nos centres de service autorisés, assurez-vous de fournir le numéro de modèle de votre appareil de même que le code de la date de fabrication. Vous trouverez cette information sur le boîtier ou sous la base de votre appareil. Le numéro de modèle est inscrit ainsi : Modèle : TAN4C. Le code de la date de fabrication comporte 4 ou 5 chiffres. Par exemple : 60630, désigne l'année, le mois et le jour (2006, juin, 30)

Advenant que votre produit Cuisinart® fasse défaut au cours de la période de garantie, nous le réparerons ou, si nous le jugeons nécessaire, le remplacerons sans frais. Pour obtenir un service au titre de la garantie, veuillez téléphoner à notre service après-vente au 1-800-472-7606 ou écrire à :

Cuisinart Canada
156, chemin Parkshore
Brampton, Ont. L6T 5M1

AVANT DE RETOURNER VOTRE PRODUIT CUISINART®

IMPORTANT : Si le produit défectueux doit être réparé ailleurs que dans un Centre de service autorisé par Cuisinart, veuillez rappeler au préposé de téléphoner à notre Centre de service client afin de s'assurer que le problème a été bien diagnostiqué, que le produit est réparé en utilisant les pièces approuvées et que le produit est encore couvert par la garantie.

Votre produit Cuisinart® a été fabriqué selon des normes strictes de qualité et a été conçu pour n'être utilisé qu'avec des accessoires et des pièces de rechange autorisées par Cuisinart®. Cette garantie fait expressément exclusion de tout vice ou dommage causé par des accessoires, pièces de rechange ou réparations effectuées par d'autres que ceux autorisés par Cuisinart. Cette garantie fait exclusion de tout dommage fortuit ou indirect.

Afin d'accélérer le renvoi, nous vous prions de joindre un chèque ou mandat-poste de 10,00 \$ pour les frais d'administration. Assurez-vous d'inclure une adresse de renvoi, une description du défaut, le numéro de série du produit et tout autre renseignement pertinent au renvoi du produit.

REMARQUE : Pour plus de protection et assurer une meilleure

manutention de tout produit Cuisinart® que vous retourner, nous vous recommandons de vous adresser à un service de livraison assuré et identifiable. La maison Cuisinart ne peut être tenue responsable des dommages encourus lors du transport ou des envois qui ne lui sont pas parvenus. La garantie ne couvre pas les produits perdus et/ou

2. Choisir la fonction « Bagel ».
3. Appuyer sur le levier du porte-tranches jusqu'à ce qu'il s'enclenche.
4. Le porte-tranches se souève une fois le cycle bagel complet. Pour arrêter le cycle avant la fin, appuyez simplement sur la touche d'annulation.
RAPPELÉZ-VOUS : Remettez le bouton de fonction sur « Toast » après avoir utilisé une fonction spéciale (bagel, dégel ou réchauffage) une fois le cycle terminé.

NETTOYAGE ET ENTRETIEN

Laissez toujours le grille-pain refroidir complètement avant de le nettoyer.
 1. Débranchez toujours le grille-pain de la prise de courant.
 2. N'utilisez pas de nettoyeurs abrasifs. Essayez simplement l'extérior avec un linge humide et essuyez-le bien. Appliquez un agent de nettoyage sur le linge, pas sur le grille-pain, avant de le nettoyer.
 3. Pour enlever les miettes, sortez le ramasse-miettes et jetez les miettes. Essayez-le et remettez-le en place. N'utilisez jamais le grille-pain sans son ramasse-miettes.
 4. Pour enlever les morceaux de pain pris dans le grille-pain, placez le grille-pain à l'envers et secouez-le un peu. N'insérez jamais d'ustensile rigide ou pointu dans la fente car vous risqueriez d'endommager le grille-pain; cela présente aussi certains dangers.
 5. N'enroulez jamais le fil autour du boîtier du grille-pain. Utilisez les crochets d'enroulage sous le grille-pain.

Niveau 3-4
 Pâtisseries pour grille-pain, gâufres et pain doré congelés, et bagels réfrigérés.

Niveau 5-6
 Pour des aliments congelés plus épais comme bagels, pain tranché à la main et pain doré épais.

3. Choisir la fonction « Defrost ».
4. Appuyer sur le levier du porte-tranches jusqu'à ce qu'il s'enclenche.
Arrêter le cycle

Le porte-tranches se souève une fois le cycle de dégel complet. Pour arrêter le cycle avant la fin, appuyez simplement sur la touche d'annulation. Débranchez le grille-pain de la prise de courant après son utilisation.

Fonction de réchauffage

Cette fonction permet de réchauffer le pain sans le griller ni le brunir.
1. Insérer la ou les tranches de pain.
 Assurez-vous que les tranches ne se chevauchent pas et que le porte-tranches est soulevé.

2. Choisir la fonction « Reheat ».

3. Appuyer sur le levier du porte-tranches jusqu'à ce qu'il s'enclenche.

Arrêter le cycle
 Le porte-tranches se souève une fois le cycle de réchauffage complet. Pour arrêter le cycle avant la fin, appuyez simplement sur la touche d'annulation.

Débranchez le grille-pain de la prise de courant après son utilisation.
Fonction Bagel

La fonction bagel prolonge le cycle de grillage pour mieux griller les pains épais.

1. Insérer la ou les tranches de pain.

Assurez-vous que les tranches ne se chevauchent pas et que le porte-tranches est soulevé.

Quelques remarques concernant le grillage

Le grillage combine la cuisson et le séchage du pain. Aussi, le niveau d'humidité dans le pain fera varier le temps de grillage.

- Pour un pain légèrement sec, utilisez un réglage inférieur à celui que vous utiliserez normalement.
- Pour un pain très frais ou de blé entier, utilisez un réglage supérieur à celui que vous utiliserez normalement.
- Les pains à surface inégale (pain moufflé) demandent un réglage plus élevé.

- Les tranches épaisses (dont les bagels) prendront plus de temps à griller, et parfois beaucoup plus longtemps, car plus d'humidité doit s'évaporer avant que le grillage puisse se produire. Des tranches très épaisses peuvent exiger deux cycles.

- Lors du grillage de pains aux raisins ou aux fruits, enlevez les raisins lâches et autres de la surface avant de placer les tranches dans le grill-pain. Vous éviterez ainsi la chute de raisins dans le fond du grill-pain ou leur gommage sur la grille du porte-tranches.
- Tranchez les bagels en deux moitiés égales avant de les faire griller.

Remarques concernant les usages spéciaux

Les pains et pâtisseries suivants devraient être réchauffés au cycle de dégel : gâufres, crêpes, pain doré et bagels congelés.

Pâtisseries pour le grille-pain : Soyez prudent lors du grillage de ces pâtisseries. La garniture peut devenir très chaude bien avant que la surface de la pâtisserie brunisse. Surveillez toujours ces pâtisseries quand vous les faites griller ou réchauffer.

3. Amorcer le grillage

Appuyez le levier du porte-tranches jusqu'à ce qu'il s'enclenche en position abaissée.

4. Arrêter le grillage

Une fois le cycle de grillage terminé, la rôti se soulèvera. Pour arrêter le grillage avant la fin du cycle, appuyez simplement sur la touche d'annulation.

Conseils

- Ne forcez jamais les aliments dans la fente du grille-pain. Ils doivent pouvoir glisser librement entre les broches.
- Ne placez pas de pain ou de pâtisserie fourrée ou glacée dans le grille-pain car cela représente un risque d'incendie.
- Le grillage inégal est habituellement dû à l'inégalité d'épaisseur des tranches.
- Débranchez toujours le grille-pain de la prise de courant après son utilisation.

Grillage de deux tranches

La plupart des grille-pain à 4 tranches produisent tellement de chaleur que le grillage de 2 tranches peut être trop foncé. Pour faire griller deux tranches de pain ordinaire, procédez comme suit :

1. Choisir le nombre de tranches.

Réglez le bouton de tranches à la position désirée (2 tranches ou 4 tranches).

2. Introduire la ou les tranches de pain.

Placez les tranches dans la fente avant (la plus près des commandes). Réglez le nombre de tranches sur 2 éteint la fente arrière pour assurer un meilleur grillage.

REMARQUE : Pour ne griller qu'une seule tranche, réglez le bouton de grillage à un niveau plus clair pour réduire le temps de grillage.

3. Amorcer le grillage.

Abaissez le levier du porte-tranches.

Fonction de dégel

La fonction de dégel sert à dégeler un aliment avant de le griller, prolongeant légèrement le cycle de grillage.

1. Introduire la ou les tranches de pain.

Assurez-vous que les tranches ne se chevauchent pas et que le porte-tranches est soulevé.

2. Régler la commande de grillage.

Pain réfrigéré et tranches congelées minces comme des crêpes surgelées.

INTRODUCTION

Vous adorerez votre grille-pain tandem à 4 tranches Cuisinart®. Le puissant élément chauffant de 1800 watts du grille-pain permet de griller les aliments plus rapidement. Il offre des réglages pour les bagels, le réchauffage et le dégel, en plus de six niveaux de grillage. Faites griller gâteaux, bagels, moitiés de pain moufflet et pain, à votre goût. La commande de grillage Always Even™ fait griller uniformément, à tout coup, alors que le sélecteur de 2 ou 4 tranches assure un fonctionnement éconergétique en coupant le courant à une fente pour ne griller qu'une ou deux tranches. Et le nettoyage est tout simple. Le ramasse-mièthes s'enlève et le boîtier isolé s'essuie en un instant

CARACTÉRISTIQUES ET AVANTAGES

1. **Fentes ultra larges et ultra longues**
Les fentes, larges de 1 1/2 po (3,75 cm) mesurent 9 1/2 po (23,75 cm) de long.

2. **Cadran de grillage**
Six niveaux permettent d'obtenir le grillage désiré, de 1 à 6.

3. **Bouton de fonction**
Vous avez quatre choix : grillage, bagel, réchauffage et dégel.

4. **Levier de char/mise en marche**
Abaissez les tranches dans le grille-pain pour le mettre en marche puis se relève automatiquement à la fin du cycle. Permet aussi

5. **Touche d'annulation**
La touche permet d'interrompre le grillage.

6. **Sélecteur 2 tranches/4 tranches**
Coupe l'élément arrière pour assurer un grillage plus uniforme.

7. **Commande Always Even™ (non illustré)**
Surveille et ajuste électroniquement la température interne du

grille-pain afin d'assurer un grillage uniforme d'une fois à l'autre. Les éléments chauffants fournissent une chaleur uniforme pour un grillage uniforme.

8. **Porte-tranches autocentreur (non illustré)**
Centre les tranches à l'intérieur de la fente afin d'assurer un grillage

9. **Boîtier isolé**
uniforme.

10. **Ramasse-mièthes amovible (non illustré)**

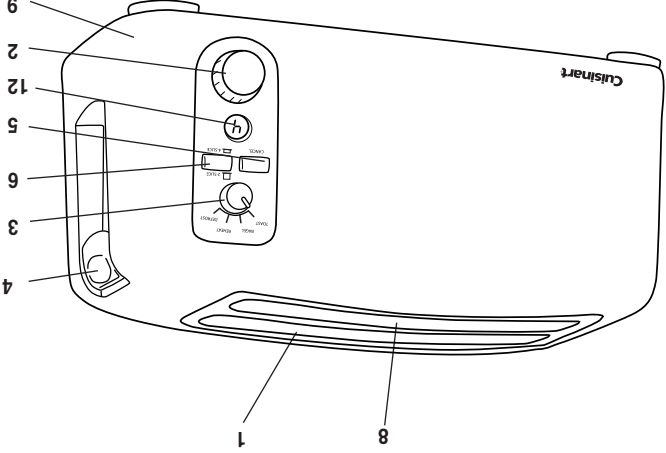
Le ramasse-mièthes se sort pour nettoyer les mièthes du fond du grille-pain.

11. **Rangement pour le fil (non illustré)**

Ranger l'excédent de fil pour garder le comptoir libre.

12. **Témoin au néon bleu brillant**

Affiche le niveau de grillage (1 à 6).



UTILISATION ET SOIN

Déroulez le fil. Assurez-vous que le ramasse-mièthes est en place et que les fentes sont vides. Branchez le fil dans la prise de courant.

1. **Insérez une ou plusieurs tranches de pain.**

Assurez-vous que les tranches ne se chevauchent pas et que le porte-tranches est soulevé.

2. **Réglez le niveau de grillage.**

Tournez le bouton au réglage désiré :

Réglage Couleur

1 - 2 clair

3 - 4 moyen

5 - 6 foncé

CONSIGNES IMPORTANTES

L'utilisation d'un appareil électrique demande la prise de précautions élémentaires, dont les suivantes :

1. **Lisez les directives en entier.**

2. **Ne touchez pas les surfaces chaudes. Utilisez des mouffles.**

3. Pour éviter les chocs électriques, ne placez aucune partie de grille-pain four dans l'eau ou un liquide. Voyez les directives de nettoyage.

4. Cet appareil ne devrait pas être utilisé par ou près des enfants.

5. Débranchez-le de la prise de courant quand vous ne l'utilisez pas et avant de le nettoyer. Laissez-le refroidir avant de le nettoyer ou de le manipuler.

6. N'utilisez pas l'appareil si le fil ou la fiche est endommagée ou si l'appareil ne fonctionne pas correctement, s'il a été échappé ou s'il a été endommagé. Retournez le grille-pain four au service après-vente agréé Cuisinart® le plus près où il sera inspecté, réparé ou ajusté.

7. L'utilisation d'accessoires non recommandés par Cuisinart peut causer des blessures.

8. Ne l'utilisez pas à l'extérieur.

9. Ne laissez pas le fil pendre le long d'une table ou d'un comptoir où il pourrait être tiré par inadvertance par un enfant ou un animal de compagnie, ou toucher des surfaces chaudes, ce qui pourrait l'endommager.

10. Ne placez pas le grille-pain four sur ou près d'un élément à gaz ou électrique chaud ou dans un four chaud.

11. N'utilisez le grille-pain four que pour l'usage prévu.

12. N'insérez jamais de gros aliments, d'emballages en feuille d'aluminium ni d'ustensiles dans le grille-pain car ils présentent un risque d'incendie ou de choc électrique.

13. Un incendie peut se déclarer si, en cours d'utilisation, le grille-pain est couvert ou s'il touche des matières inflammables comme des rideaux, des draperies, un mur et autres. Ne l'utilisez pas sous une armoire en surplomb.

14. Ne tentez pas de déloger les aliments dans le grille-pain alors qu'il est branché dans la prise de courant.
15. Pour éviter le risque d'incendie, ne laissez pas le grille-pain sans surveillance en cours d'utilisation. Débranchez-le quand vous ne l'utilisez pas.
16. Pour le déconnecter, appuyez sur la touche d'annulation puis retirez la fiche de la prise de courant.

CONSERVEZ CES DIRECTIVES POUR USAGE DOMESTIQUE SEULEMENT

DIRECTIVES SPÉCIALES CONCERNANT LE FIL

Un fil court est fourni afin de réduire les risques d'accroc ou de trébuchement d'un grand fil. Vous pouvez vous procurer un grand fil et l'utiliser en autant que vous usiez de prudence.

Si vous utilisez une rallonge, l'intensité de la rallonge doit être au moins égale à celle de l'appareil et la rallonge devrait être disposée de façon à ce qu'elle ne court pas sur le comptoir ou la table où elle peut être accrochée ou tirée par un enfant.

AVIS

Cet appareil est doté d'une fiche polarisée (une lame est plus large que l'autre). Par mesure de sécurité, cette fiche ne convient que d'une façon dans une prise polarisée. Si la fiche ne s'enfonce pas complètement dans la prise, inversez-la. Si elle ne convient toujours pas, consultez un maître-électricien. Ne tentez pas de contre cette mesure de sécurité.

TABLE DES MATIÈRES

Consignes importantes.....	2
Introduction.....	3
Caractéristiques et avantages.....	3
Utilisation et soin.....	3
Nettoyage et entretien.....	5
Garantie.....	6

Grille-pain tandem à 4 tranches

TAN-4C

Pour votre sécurité et l'utilisation continue sans problème de ce produit, lisez toujours le livret d'utilisation avec soin avant de l'utiliser.



Cuisinart®

LIVRET
D'UTILISATION

Version No.: IB-6359-CAN
Size: 216MM(W)X178MM(H) SADDLE-STITCHED 16PP
Material: Cover: 157GSM MATT ARTPAPER
Inside: 120GSM GLOSS ARTPAPER
Coating: VARNISHING IN COVER
Color (Cover): 4C(CMYK)+1C(BLACK)
(Inside): 4C(CMYK)+1C(BLACK)
Date: 09-FEB-2006 Co-ordinator : ASTOR
Hugo Descriptio: TAN4C IB-6359-CAN(0,2) BOOK
Hugo Code: GEW0554IB-1-1 OPERATOR: YAN

